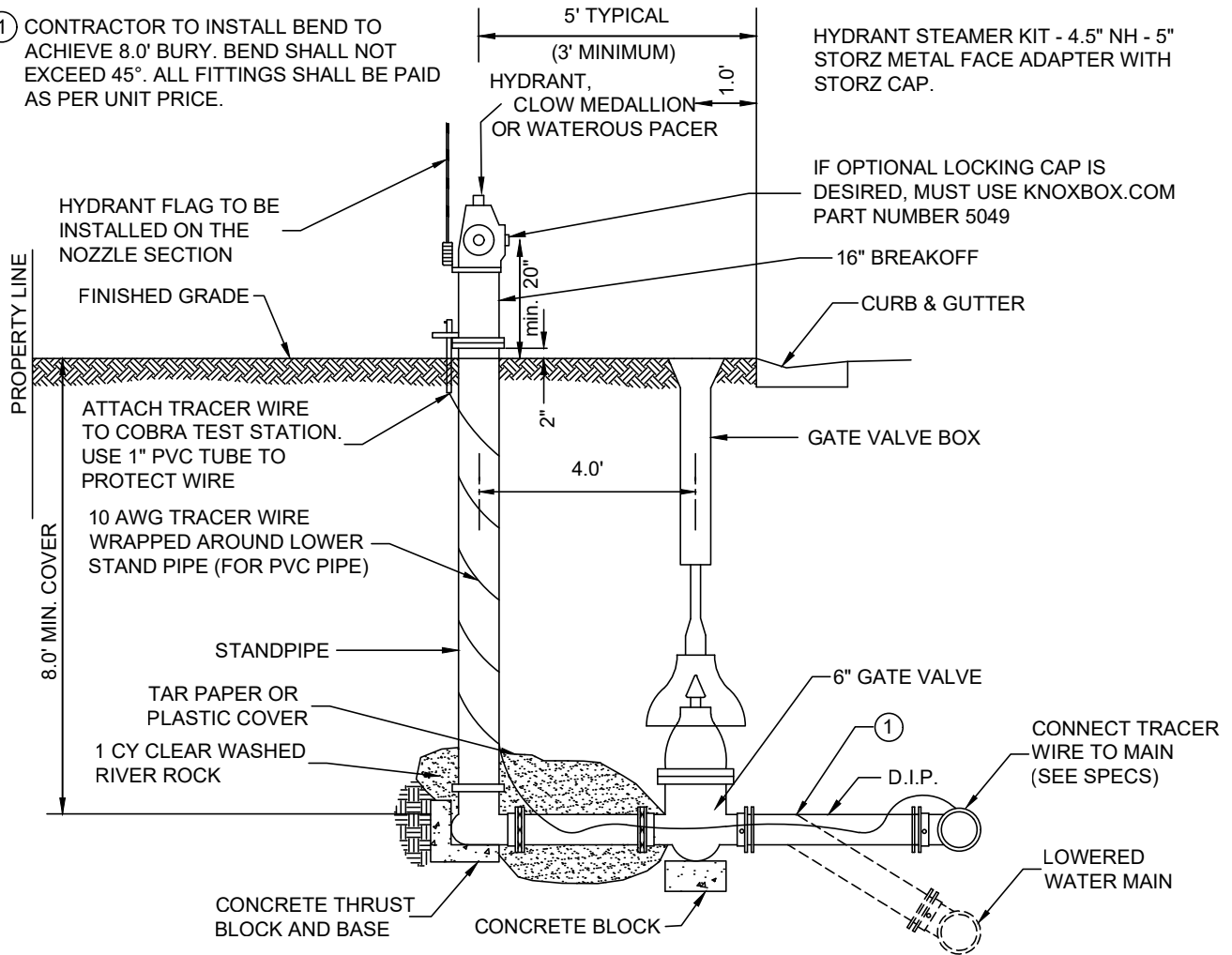


① CONTRACTOR TO INSTALL BEND TO ACHIEVE 8.0' BURY. BEND SHALL NOT EXCEED 45°. ALL FITTINGS SHALL BE PAID AS PER UNIT PRICE.



**NOTES:**

STANDARD REQUIREMENT:  
5 INCH STORZ NON-LOCKING CONNECTION AND CAP ON THE HYDRANT

OPTIONAL:  
KNOX LOCKING 5 INCH STORZ ADAPTER/CAP SYSTEM

ALL HYDRANTS AND GATE VALVES SHALL HAVE MECHANICAL JOINT CONNECTIONS. ALL VALVES TO OPEN COUNTER-CLOCKWISE.

ALL BACKFILL SHALL BE PROPERLY COMPACTED.

1 CANDY CANE STYLE FLAG PER HYDRANT.

WHEN INSTALLING A HYDRANT ROD EXTENSION, THE NONBREAKABLE COUPLING SLEEVES GO ON THE BOTTOM AND THE BREAKABLE SLEEVES GO ON THE TOP OF THE EXTENSION ROD.

FIRE HYDRANTS SHALL BE PAINTED YELLOW AT THE FACTORY.

POLYWRAP ALL PIPES AND FITTINGS, MEGA LUG ALL FITTINGS, INCLUDE CORROSION PROTECTION AT EACH JOINT.

ALL HYDRANTS SHALL BE INSTALLED WITH STORZ NOZZLE PERPENDICULAR TO ROADWAY.

WEEP HOLE TO REMAIN OPEN.

HYDRANTS TO CONFORM WITH DIMENSIONAL REQUIREMENTS FOR NONTHREADED CONNECTIONS IN ACCORDANCE WITH NFPA 1983 STANDARDS FOR FIRE HOSE CONNECTIONS.

DESIGN:	DATE: 3-08-07		
DRAWN:	DRT		
REVISIONS	02	02	2022



ENGINEERING DEPARTMENT

**HYDRANT & GATE VALVE INSTALLATION**

PLATE NUMBER

W-1