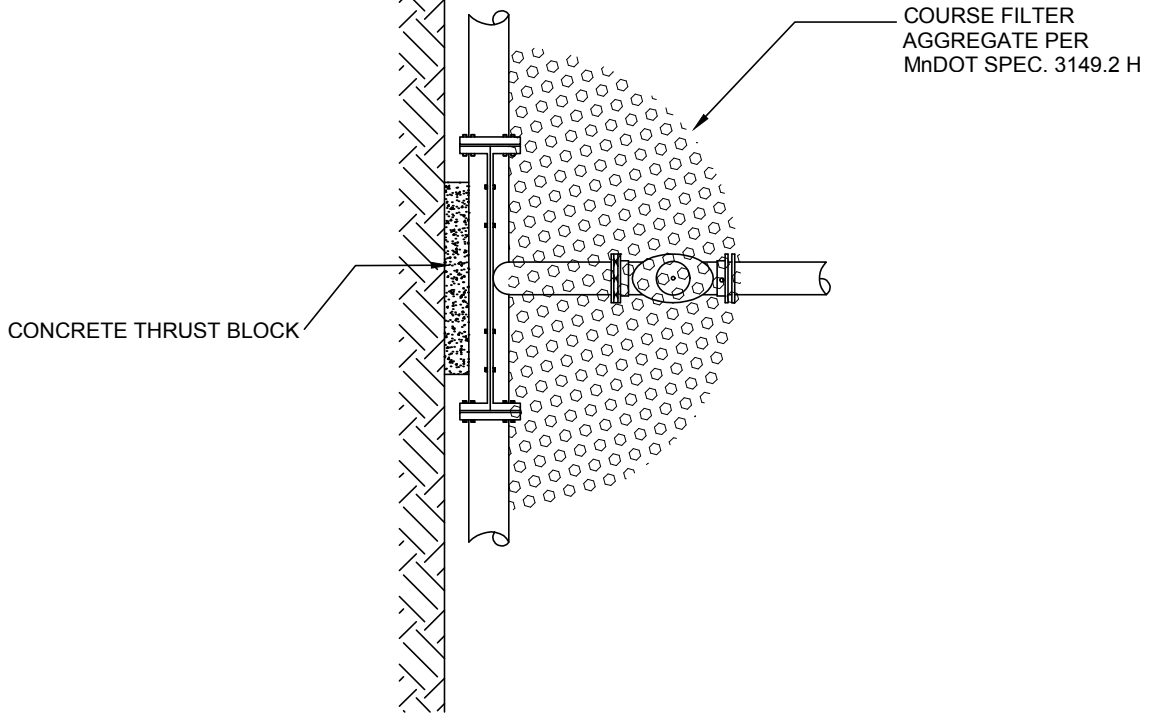
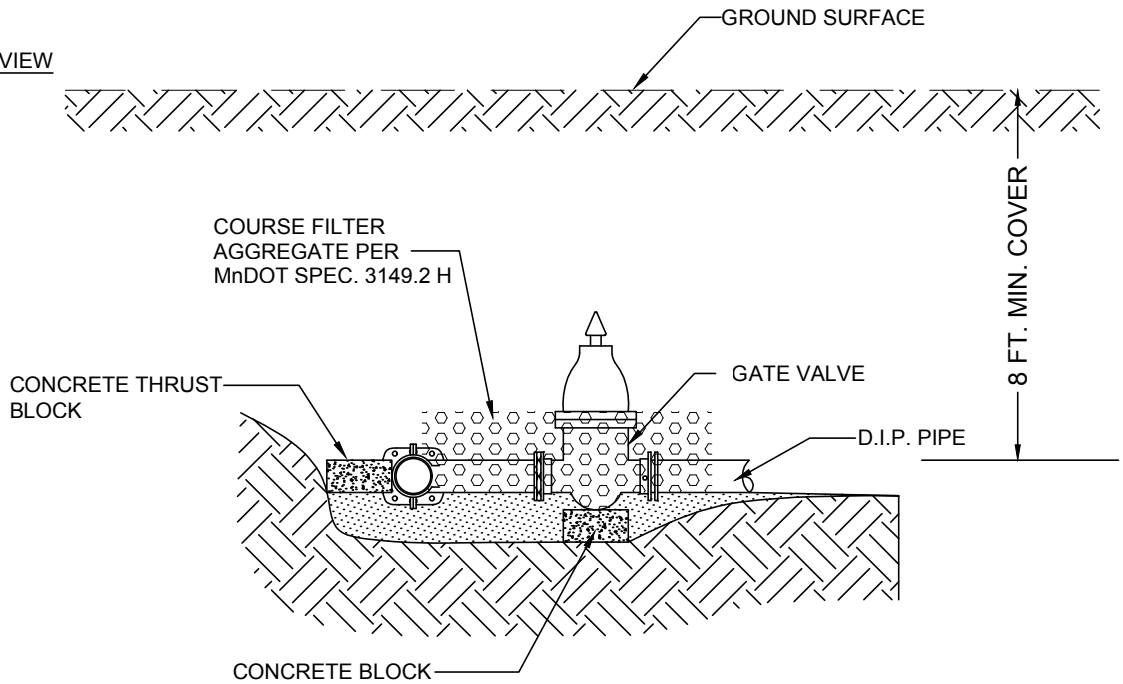


**PLAN VIEW**



**PROFILE VIEW**



DESIGN:	DATE:
DRAWN:	
REVISIONS	02-08-2018



ENGINEERING DEPARTMENT

**WATER MAIN WET TAP**

PLATE NUMBER

W-6