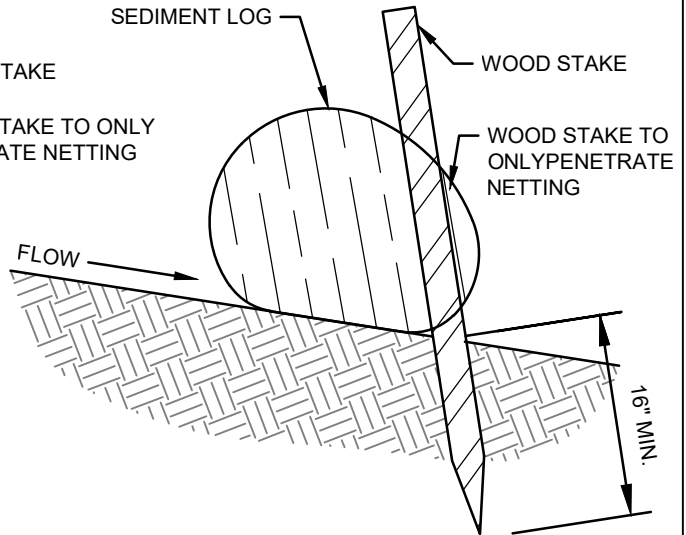
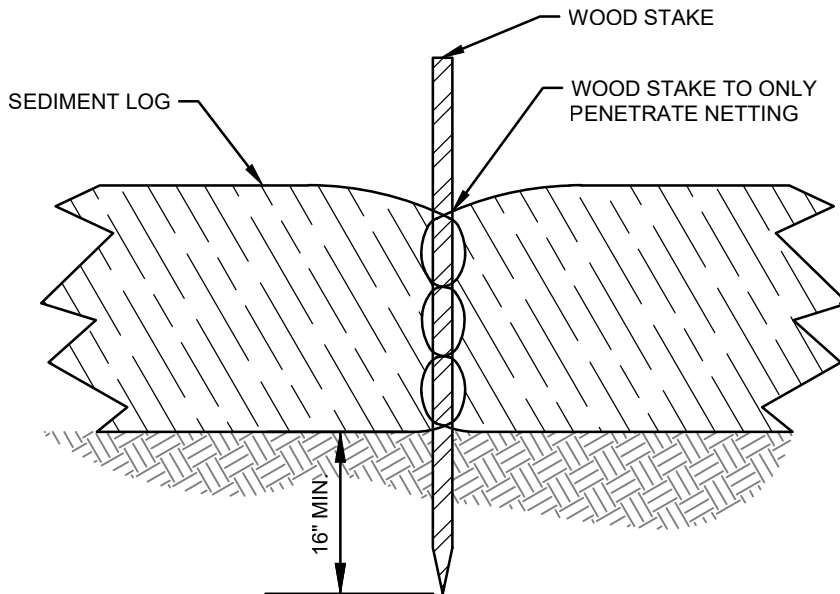


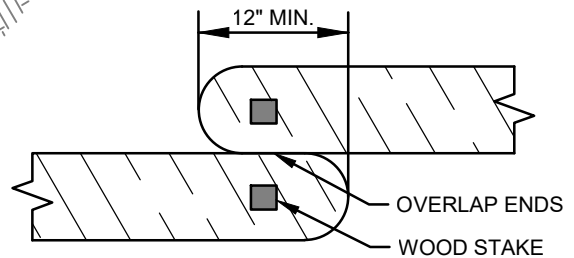
SIDE VIEW FLAT



SIDE VIEW ON SLOPE



FRONT VIEW



TOP VIEW

NOTES:

1. INSTALL SEDIMENT LOG ALONG CONTOURS (CONSTANT ELEVATION).
2. NO GAPS SHALL BE PRESENT UNDER SEDIMENT LOG. PREPARE AREA AS NEEDED TO SMOOTH SURFACE OR REMOVE DEBRIS.
3. REMOVE ACCUMULATED SEDIMENT WHEN REACHING $\frac{1}{3}$ OF LOG HEIGHT.
4. MAINTAIN SEDIMENT LOG THROUGHOUT THE CONSTRUCTION PERIOD AND REPAIR OR REPLACE AS REQUIRED.

DESIGN:	DATE: 3-20-20
DRAWN:	DRT
REVISIONS	



ENGINEERING DEPARTMENT

SEDIMENT LOG INSTALLATION

PLATE NUMBER

EC-6